

4

3

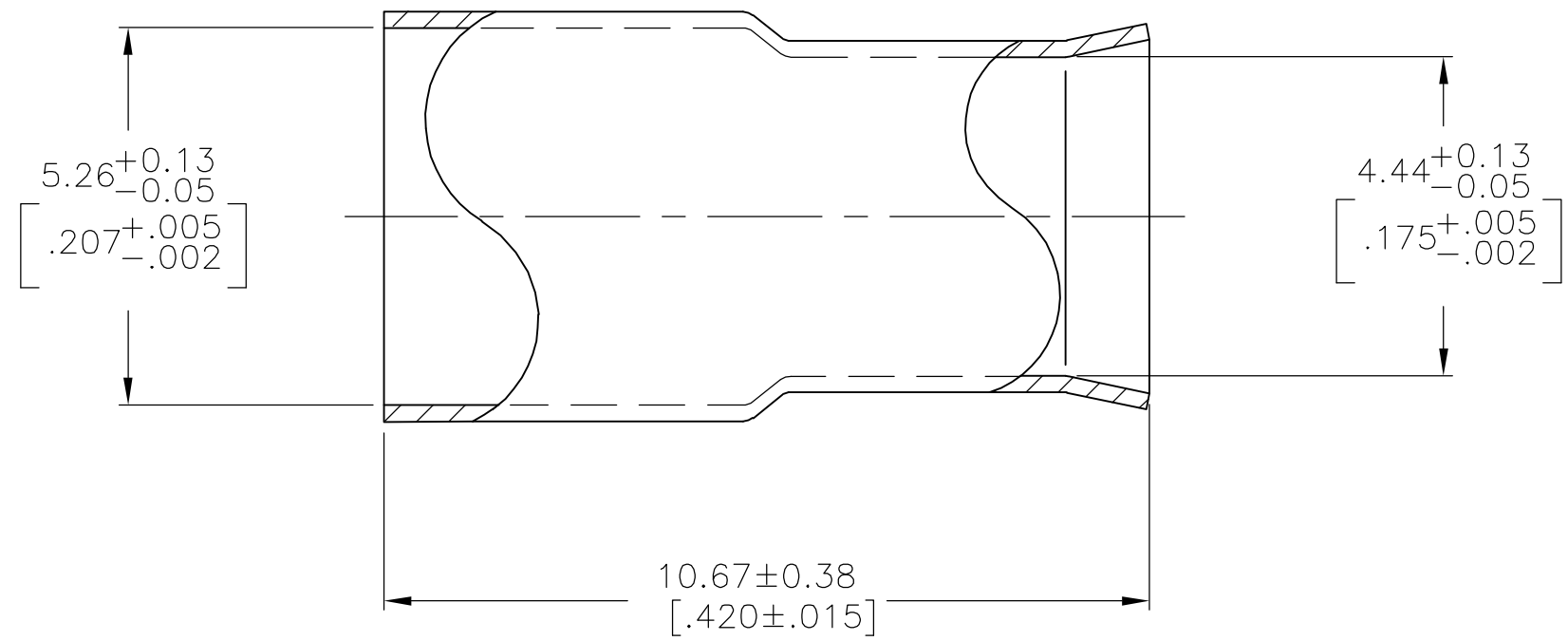
2

1

THIS DRAWING IS UNPUBLISHED. RELEASED FOR PUBLICATION
 © COPYRIGHT BY TYCO ELECTRONICS CORPORATION. ALL RIGHTS RESERVED.

LOC	DIST	REVISIONS					
AJ	19	P	LTR	DESCRIPTION	DATE	DWN	APVD
			AC1	REVISED PER ECO-06-015162	29JUN2006	KS	JL

△1 SILVER PLATE PER QQ-S-365
 △2 TIN-LEAD PLATE PER ASTM-B-571



△1	9-328664-0
△2	2-328664-1
△1	328664
FINISH	PART NUMBER

THIS DRAWING IS A CONTROLLED DOCUMENT.		DWN B. WERNER 01-22-93	Tyco Electronics Corporation Harrisburg, PA 17105-3608	
DIMENSIONS: mm [INCHES]		CHK J. McLEOD 01-22-93		
TOLERANCES UNLESS OTHERWISE SPECIFIED:		APVD J. McLEOD 01-22-93	NAME	
0 PLC ± - 1 PLC ± - 2 PLC ± - 3 PLC ± - 4 PLC ± - ANGLES ± -		PRODUCT SPEC	FERRULE, STEP-DOWN	
MATERIAL COPPER PER QQ-C-576		FINISH SEE NOTES	APPLICATION SPEC	RESTRICTED TO
		WEIGHT -	SIZE A3	CAGE CODE 00779
		CUSTOMER DRAWING	DRAWING NO C-328664	RESTRICTED TO -
		SCALE 10:1	SHEET 1 OF 1	REV AC1